

RGB Colorful LCD Screen Smart Thermostat

- ✓ Scan QR code to finish network configuration swiftly, easy and convenient.
- ✓ Programmable device, multiple periods allowed to set per day.
- ✓ 2.8 inches ultra-large colorful LCD screen, delicate visual effect.
- ✓ The device can be controlled by voice through Amazon Alexa and Google Assistant

Parameter

Supply voltage	AC 100~240V;50~60Hz
Power consumption	1W Max (Wi-Fi 3W Max)
Temp. setting range	5~95°C
Floor limited range	20~90°C
On/off deviation	0.5~10°C, Factory setting $\pm 1^\circ\text{C}$
Ambient temperature	-5~50°C
Protection level	IP20
Shell material	Anti-Flammable PC

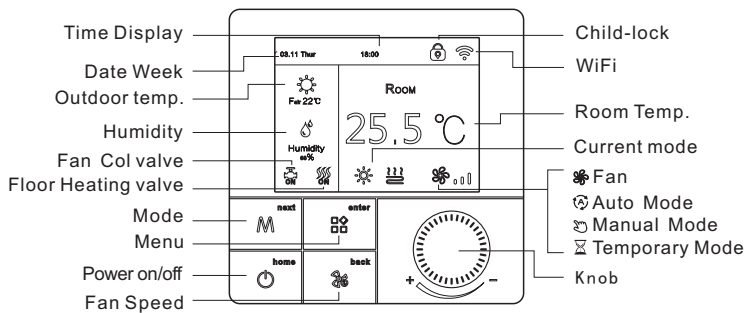
Version:TCR8 1.0(04/2021)

Product Overview

This series of thermostat has Floor Heating, Fan Coil, and Integrated version, meeting the requirements under different scenarios.

Version	System mode	Model	Application
Floor heating	Heating	EP	Built-in & floor sensor, floor limit sensor + Weekly programming
		WP	ANC/NO dual-output + Weekly programming
		WPB	ANC/NO dual-output + Weekly programming+ Potential-free output
Fan Coil	Heating /Cooling / Ventilation	Ac2	Timer task + 2-pipe system
		Ac2-485	Timer task + 2-pipe system + 485Modbus (optional)
		Ac4	Timer task + 4-pipe system + 485Modbus (optional)
Integrated	Heating / Cooling / Ventilation/Floor heating / Floor heating + Heating	AWY	Floor heating & fan coil, weekly programming + Potential-free output + Timer task + 485Modbus (optional) + Door card (optional)

Display Symbols



Temperature Control Mode(Floor Heating/Integrated)

Auto Mode

Weekly-circled programme, up to 6 heating events can be set per day. Heating events, workdays and temperature can be separately customized based on personal routines.

Manual Mode

Thermostat works based on manually-set temperature, disconnecting from auto mode.

Temporary Mode

Thermostat works based on manually-set temperature temporarily and then shifts back to auto mode till next event.

User Operation

Power on/off: Long press "⏻" to turn on/off the thermostat.

Temp setting: Rotate handwheel "🌀" to change setting temperature by 0.5°C.

System mode: Press "M" shortly to switch cooling/heating/ventilation. (Fan Coil)
 Press "M" shortly to switch cooling/heating/ventilation/floor heating/floor heating + heating. (Integrated)

Temp control mode: Press "M" shortly to switch manual/auto mode. (Floor heating)
 Press "🌀" shortly to switch manual/auto mode. (Integrated, floor heating)

Enter menu: Press "enter" enter the menu interface.

Child-lock: Press "M" + "enter" for 3 seconds to activate child-lock.

Auto-mode Setting

When device is off, press "enter" to enter menu page, choose "period setting" to set parameters, then press "⏻" to save and exit.

Events		Time		Temperature	
		Default value	Modify	Default value	Modify
Workdays	Sunrise	06 : 00	🌀 Rotate handwheel	20°C	🌀 Rotate handwheel
	Morning	08 : 00		15°C	
	Nooning	11 : 30		15°C	
	Afternoon	12 : 30		15°C	
	Evening	17 : 00		22°C	
Weekends	Night	22 : 00	15°C		
	Sunrise	06 : 00	20°C		
	Night	22 : 00	15°C		

Advanced Setting (Usually for Professional Technicians)

Choose "advanced setting" on menu page and put in password 123456 to enter advanced setting page, set parameters then press "⏻" to save and exit.

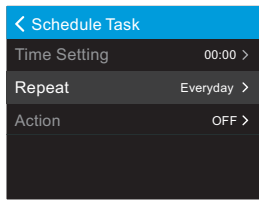
Meaning	🌀 Rotate handwheel	Default value
Sensor Mode	Built-in Sensor Floor Sensor Built-in Control&Floor Limitation	IN
Built-in Sensor Calibration	-5~5°C	-3°C
Built-in Max Setting Value	5~95°C	50°C
Floor Max Setting Value	10~95°C	50°C
Limitation Value	20~95°C	35°C
Output Jitter Control	0~5°C	1°C
Anti-Freeze Protection	ON/OFF	OFF
Linkage Mode	Noninverting Inverting Inverting Inverting and Anti-Freeze closed	Noninverting
Linkage Time Delay	0~5Min	0Min
Weekday Mode	Monday to Friday/Monday to Saturday /Monday to Sunday/	2-day
Boot Type	Function Off/Function On/Function Saved	OFF
Temperature Unit	°F/°C	°C
Child Lock Type	None Lock All All but power	None
Control Mode	All/Air/Floor	Floor
Cloud Region	CN/US/EU	CN
Reset All Settings	/	/

Sensor failure

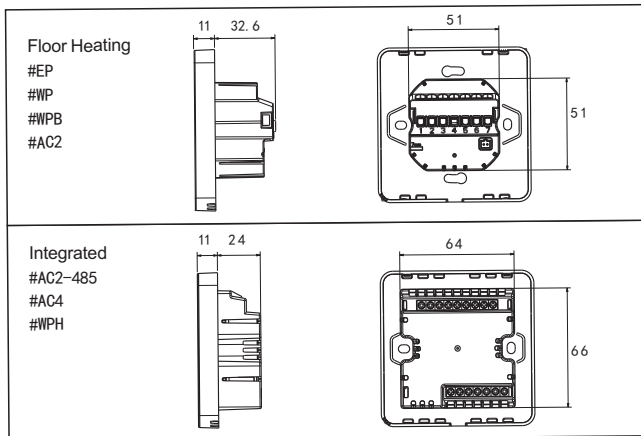
Please select work mode of sensors correctly. When it shows E0/E1 error, thermostat will stay power-off till the error is eliminated. E0: built-in sensor is short-circuited or disconnected. E1: floor sensor is short-circuited or disconnected.

Timer Task Setting (Fan Coil/Integrated)

Press “” to enter the menu page. Turn the knob “”, choose “Auto Mode”, and then choose “Schedule”. Set the parameters by turning the knob, then press “Home” to save and exit to home page.



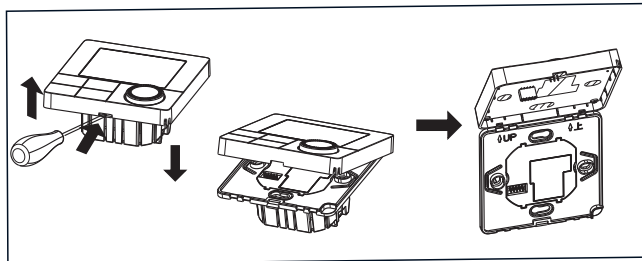
Dimensions (Unit: mm)



Mounting Steps

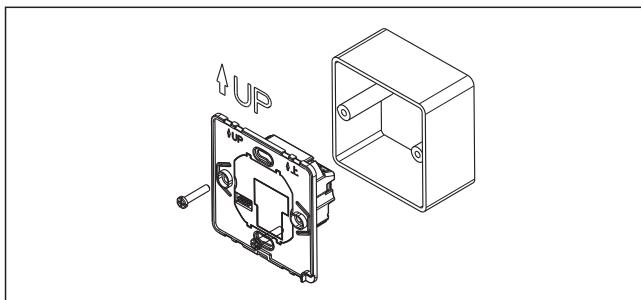
The thermostat adopt pre-guide and limited snap-fit design. It is easy to mount.

1) Release front cover by inserting a head screw-driver into bottom crack.

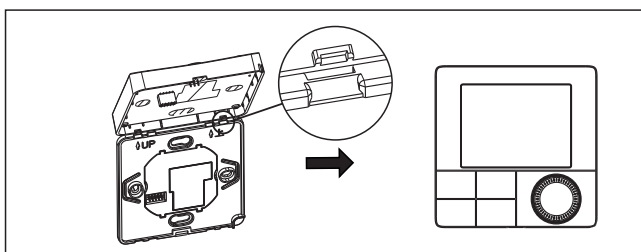


2) Insert the wires and then fix these wires with screws. Suggested wire-stripping length is 7-9mm.

3) Mount backing plate into wall-cassette, put screws and then fix thermostat. Make sure that the thermostat is fixed without deformation. Suggested torque is 0.2~0.4N.m (2.0~4. 1kgf.cm).



4) Re-mount the front cover via snap-fit connection.



Connecting Diagram

The thermostat operates in full capacity in areas with the altitude of less than 2500 above sea level. Power rating of external load should be less than or equal to 80% rated power of the thermostat in areas with altitude of 2500m to 4200m.

